

Installation & Set-up Guide

***Versa*LASER**[®] VLS3.60, VLS4.60, VLS6.60

Table of Contents

Proper Operating Environment

Environment.....	5
Electrical Power Source.....	6
Exhaust System.....	6
Diagram.....	7

Software Installation and Requirements

Computer and Operating System Requirements.....	9
Universal Control Panel (UCP) Installation CD-ROM.....	11

Assembling Your VersaLASER® System

System Assembly - VersaLASER VLS3.60 and VLS4.60 Systems.....	15
System Assembly - VersaLASER VLS6.60 System.....	17
Laser Cartridge Installation.....	18
Laser System Leveling.....	21
Finalizing the Connections.....	25
Checking Beam Alignment.....	29

Running Your First Job

Step 1 - Loading and Positioning the Material.....	31
Step 2 - Creating the Graphic.....	31
Step 3 - Printing to Your VersaLASER® System.....	32
Step 4 - Starting the Process.....	33
Step 5 - Material Removal and Reloading.....	33

Thank you for choosing Universal Laser Systems®. The Installation & Set-up Guide is designed to provide you with step-by-step instructions for proper installation and set-up of your VersaLASER® system. Before getting started, you should become familiar with each section of this document: Proper Operating Environment Procedures, Software Installation and Requirements, Assembling Your VersaLASER® System and Running Your First Job.

Should you have any questions during your installation, please contact your local representative or Universal Laser Systems' Customer Service Team at 480-609-0297 (USA), +43 1 402 22 50 (Austria), +81 (45) 224-2270 (Japan) or e-mail us at support@ulsinc.com.

Again, thank you for choosing Universal Laser Systems.

The Universal Laser Systems Team

Proper Operating Environment

This section will give you step-by-step instructions for site preparation and computer and software setup. Follow the instructions in the order shown.

1. Establishing a Proper Operating Environment
2. Software Installation and Operating System Requirements
3. Assembling Your VersaLASER System
4. Running Your First Job

CAUTION: Damage to the VersaLASER system due to inadequate or improper operating environment is not covered under the Universal Laser Systems (ULS) Warranty. See the ULS Warranty for additional information. The ULS Warranty can be found in your Reference Guide packet. Should you require a copy of the Warranty, please contact your local Customer Service Center at 480-609-0297 (USA), +43 1 402 22 50 (Austria), +81 (45) 224-2270 (Japan) or e-mail us at support@ulsinc.com.



Please refer to the Safety Manual before operating your laser system.

Environment (User Supplied)

1. The laser system must be installed in an office, laboratory, workshop or light duty manufacturing environment. Dusty or dirty environments can damage the laser system. Keep the laser system isolated from any processes that produce airborne particles such as sandblasting, sanding, machining, etc. Also, keep the VersaLASER system isolated from any equipment requiring mists of oil or water for lubrication. Airborne dust and liquids can coat and damage optics and motion system components.
2. Avoid small, enclosed, non-ventilated areas. Some materials, after laser engraving or cutting, continue emitting fumes for several minutes after processing. Having these materials present in a confined, unventilated room can create a health hazard.
3. For best results, since the lasers are air-cooled, we recommend operating the laser system between the ambient temperatures of 73°F (22°C) and 77°F (25° C).
4. Avoid storing the laser system outside the temperatures of 50°F (10°C) and 95°F (35° C) as excessively cold or hot temperatures can damage the laser cartridge or reduce its lifetime.
5. Ambient humidity levels must be non-condensing to protect optics.

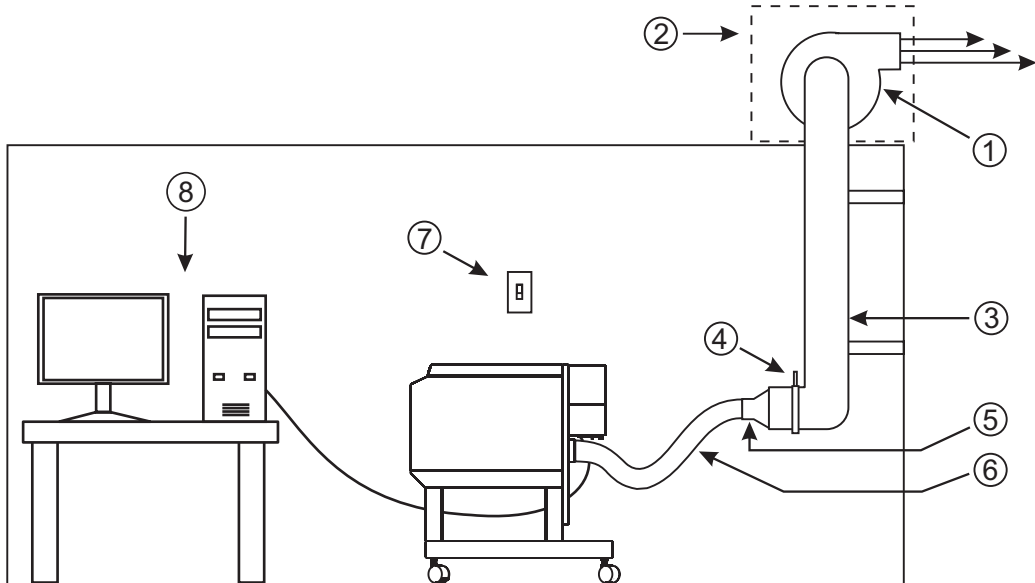
Electrical Power Source (User Supplied)

1. For your system's electrical requirements, please refer to the "INPUT POWER" label near the power inlet.
2. **CAUTION: Never remove the ground lead to the electrical cord and plug the VersaLASER system into a non-grounded outlet.** A laser system that is not properly grounded is hazardous and has the potential to cause severe or fatal electrical shock. Without proper grounding, the laser system may exhibit sporadic or unpredictable behavior. Always plug the system into a properly grounded (earthed) outlet.
3. Noisy or unstable electricity and voltage spikes may cause interference and possible damage to the electronics of the laser system. If electrical power fluctuations, brown outs or constant power outages are a problem in your area, an electrical line stabilizer, UPS (Uninterruptible Power Supply) or backup generator may be required. Electrically noisy equipment such as equipment with large motors can also cause interference if plugged into the same outlet. It may be necessary to attach the laser system to a dedicated electrical line to resolve the problem.
4. The laser system is designed as a Class I, Group A, pluggable device. It is also designed for connection to IT power systems which provide the most flexibility to the user.

Exhaust System (User Supplied)

1. We recommend you consult with a licensed contractor to meet local safety and building code requirements.
2. The exhaust system must be capable of supplying a minimum of:
 - VersaLASER VLS3.60 and VLS4.60 - **250 CFM (cubic feet per minute)** of airflow while under a load of 6 inches of static pressure (425m³/hr at 1.5kPa)
 - VersaLASER VLS6.60 - **500 CFM (cubic feet per minute)** of airflow while under a load of 6 inches of static pressure (850m³/hr at 1.5kPa)
3. Do not install forward incline, backward incline, in-line or ventilator fans because these types of air handlers are inadequate and inappropriate for this type of installation. A high-pressure blower must be used to meet minimum airflow requirements.
4. For personal safety and noise control, we recommend that the exhaust blower be mounted outside the building.
5. Rigid tubing should be used for the majority of the connection between the blower and the laser system. The tubing should be smooth-walled and have as few 90-degree bends as possible.
6. Install an exhaust gate to adjust airflow and to close off the exhaust when the laser is not in use. Place this gate near the laser system within 5 to 10 feet (1.50 to 3.00 meters).
7. Use a short piece of industrial grade, wire-reinforced rubber tubing to connect the laser system's exhaust port to the exhaust gate and secure with a hose clamp. This will provide some mobility for your laser system and will isolate exhaust blower vibrations from your laser system.
8. Wire the exhaust blower electrically to a wall switch in the same room for easy ON/OFF control.

Note: The following diagram shows a typical exhaust system layout. Use this as a guideline for proper exhaust system installation. Although this diagram serves as an example, we recommend you consult with a licensed contractor to meet local safety and building code requirements and to also calculate the correct size blower required for your particular installation. Length of exhaust pipe, exhaust pipe diameter, number of 90-degree angles and other restrictions must be calculated when determining the correct exhaust blower unit. Installing an undersized or oversized blower is not only unsafe, but can also lead to excessive wear and tear to the laser system and premature failure.



1. Exhaust blower mounted outside
2. Weatherproof shield
3. Rigid ducting matching the diameter of the blower inlet
4. Shut-off or air-flow gate
5. Reducer to four inches
6. Flexible, wire-reinforced, industrial grade rubber hose
7. Exhaust On/Off switch
8. Computer (User Supplied)

Software Installation and Requirements

Your computer is a critical component in the operation of the VersaLASER system. In fact, you cannot operate the VersaLASER system if your computer is not connected, powered on, running Windows and running the Universal Control Panel (UCP) software.

You can only run one VersaLASER system per computer at a time. You will need to purchase a separate computer for each VersaLASER system you own. The VersaLASER system is not designed to be a network printer. You must operate the VersaLASER system using the computer that is directly attached to it via the provided 6-foot USB cable (2 meters). USB cables longer than 6 feet (2 meters) may cause the VersaLASER system to malfunction.

Computer and Operating System Requirements

Minimum Computer Requirements (User Supplied)

- 2.0 GHz processor
- Windows XP or Windows Vista*
- 1 GB of RAM
- 40 GB hard drive (15 GB free space)
- VGA monitor (minimum 1024 x 768 resolution)
- CD-ROM drive/burner
- Mouse and keyboard
- Available USB 2.0 Hi-Speed compliant port only
- Computer speakers (optional)
- 600 DPI scanner (optional)
- Internet connection and e-mail address (optional)

*The VersaLASER system is only compatible with a 32-bit Windows Operating System. See www.microsoft.com for the minimum computer requirements to run Windows Vista. The VersaLASER system is not designed to run on the Macintosh Operating System.

Note: Some computer manufacturers' USB ports do not comply with USB 2.0 Hi-Speed standards. This may cause the VersaLASER system to exhibit erratic behavior. Confirm that your computer complies with USB 2.0 Hi-Speed by checking your computer manual. For more information on USB 2.0 Hi-Speed compatibility, please visit www.usb.org.

Other USB peripheral devices that demand a large amount of computer processing power may slow down the operation and productivity of the VersaLASER system. If you experience problems with operation, we recommend you disconnect other USB peripheral devices.

Optimizing Windows

XP Performance

Windows XP, by default, displays many “visual effects” that slow down the computer. We recommend that you turn off these effects by right-clicking on the “My Computer” icon on your desktop, then click “Properties” and then click the “Advanced” tab. In the Performance section, click “Settings,” then click “Adjust For Best Performance” and then click “Apply.”

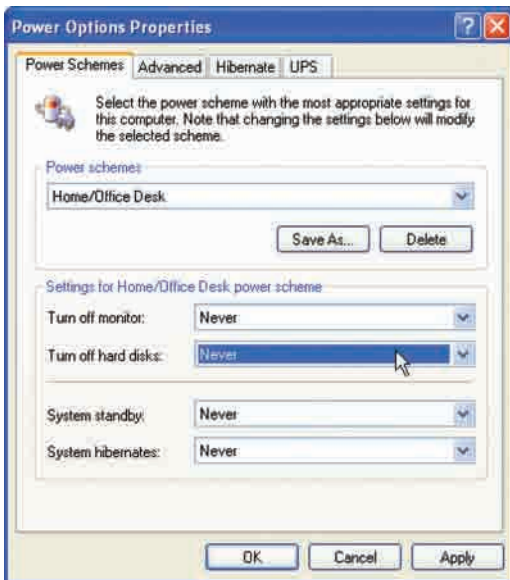
Vista Performance

Windows Vista, by default, displays many “visual effects” that slow down the computer. We recommend that you turn off these effects by clicking the “Start” button, right-clicking on “Computer,” then click “System Properties” and then click on “Advanced System Settings” link. In the Performance section, click “Settings,” then click “Adjust For Best Performance” and then click “Apply.”

Computer Power Management

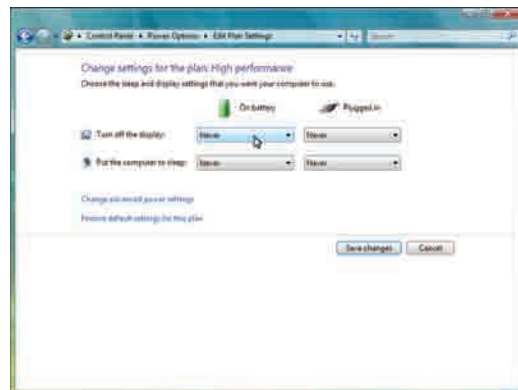
Power management is a configuration setting in Windows XP and Windows Vista that reduces the energy consumption of computers and monitors by shutting them down after a period of inactivity. However, since your computer is a critical component in the operation of the VersaLASER system, you do not want your computer to go into the Standby or Hibernate modes while your laser system is operating. Contact your IT Department if you need help in configuring your computer.

XP



For the Power Scheme in use, select “Never” for **all** the setting option: Turn off monitor, turn off hard disks, system standby and system hibernates.

Vista



For the Power Scheme in use, select “Never” for **all** the setting option: Turn off display and Put the computer to sleep.

Universal Control Panel (UCP) Installation CD-ROM

At this point you need to install the Windows XP/Vista Universal Control Panel and printer driver. In order to install the software, you need to have administrative privileges on the computer before starting installation. The Software Installation CD-ROM can be found in a pocket on the inside of this manual.

1. Insert the Software Installation CD-ROM into your PC's CD drive. It should automatically launch the "Universal Control Panel Installation" window. Select the laser series you are installing on the computer.

Note: If the setup window does not automatically launch, you can launch it manually. Locate your CD or DVD drive using Windows Explorer and click on the Setup.exe application to launch the setup window.

Depending on your software version, you will see one or the other installation screens below



or

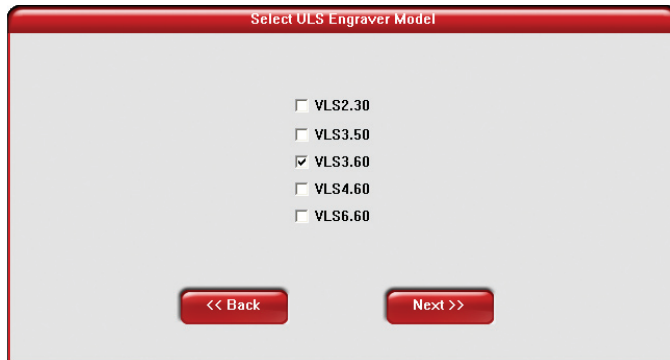


2. Select the components you would like to install to your computer, then select the "Next" button.

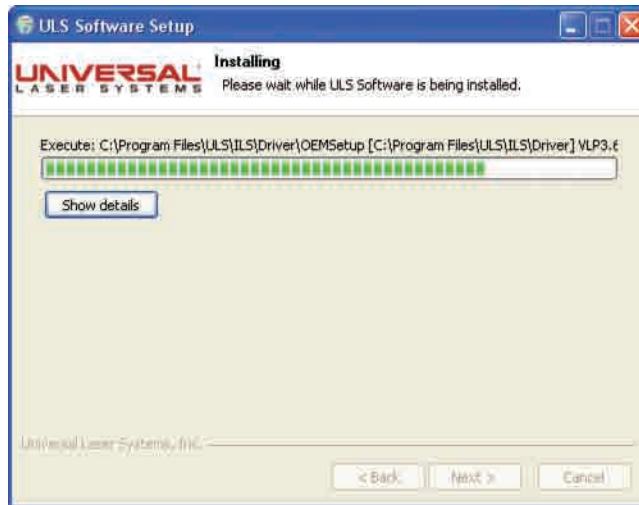
Note: If you choose to install the "Application and Firmware," you will need to proceed to step 5.



3. If you have selected to install the Printer Driver, you will then be prompted to select the laser system you would like to install on the computer. Once selected click the "Next" button.



- The installation process will proceed as indicated by a progress bar. Be patient. Loading the files can take a few minutes depending on your computer's processor speed.



- When the installation process is finished, the “Completing the ULS Software Setup Wizard” window will appear. Read the instructions and make your desired selection. If you Reboot Now, save all your work prior to rebooting. If you decide to reboot later remember that you must reboot before connecting the VersaLASER system to your computer. Click on the “Finish” button to complete installation. The window will automatically close. Remove the Software Installation CD-ROM. All the files required to operate your machine have been loaded onto your computer.



Assembling Your VersaLASER System



Familiarize yourself with the instructions before getting started.

Depending on which model VersaLASER system you have purchased, assembly of your laser system may be required. Once the system has been assembled, it is necessary to install the laser cartridge on the back of the machine and perform a beam alignment check. **Do not** power up your laser system until the final step, "Checking Beam Alignment."

CAUTION: Do not attempt to move or lift this system alone. Obtain assistance from three or four additional people when lifting or carrying (secure motion system and doors before lifting). Bodily injury may occur if improper lifting techniques are used or the system is dropped.

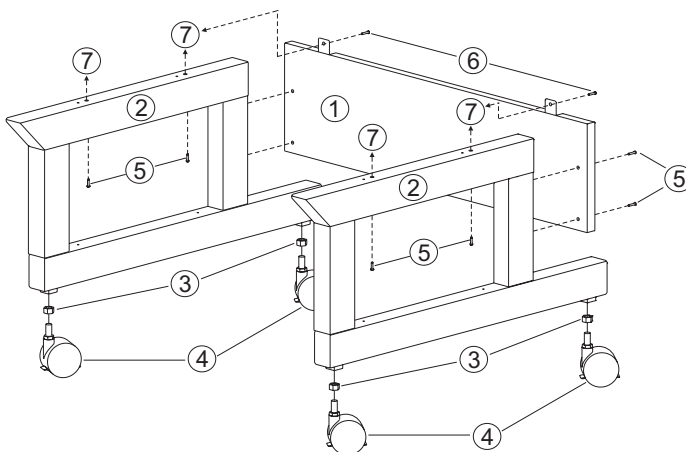
System Assembly - VersaLASER VLS3.60 and VLS4.60 systems: Page 15

System Assembly - VersaLASER VLS6.60 system: Page 20

System Assembly - VersaLASER VLS3.60 and VLS4.60 Systems

Cart Assembly

1. Unpack the laser system from its packaging.
2. Remove the unassembled cart from the top of the laser system.
3. Assemble the cart as it appears in the diagram below, but leave all of the screws slightly loose, except for the casters which should be tightened as far as possible into the cart leg.



1. Back panel
2. Legs (both are identical)
3. Nuts (4)
4. Locking casters (4 are identical)
5. 1/4-20 x 1/2, socket head screws w/lock & flat washers (8)
6. 10-32 x 3/8 socket head screws w/lock & flat washers (2)
7. Connect to main enclosure



4. With the assistance of three or four other people, place the system on top of the cart and loosely install the provided screws that attach the machine to the cart. **Be careful not to pinch your fingers.**
5. Open front door all the way to ensure that it does not come in contact with the cart legs. If the door should come in contact with the cart legs, gently pull the cart legs apart to ensure there is non-contact between the door and the cart legs. Securely tighten all the screws and re-check.
6. Attach your exhaust system's wire-reinforced rubber tubing to the exhaust port at the rear of the laser system and secure with a hose clamp.
7. Place the VersaLASER system in the desired location for operation.

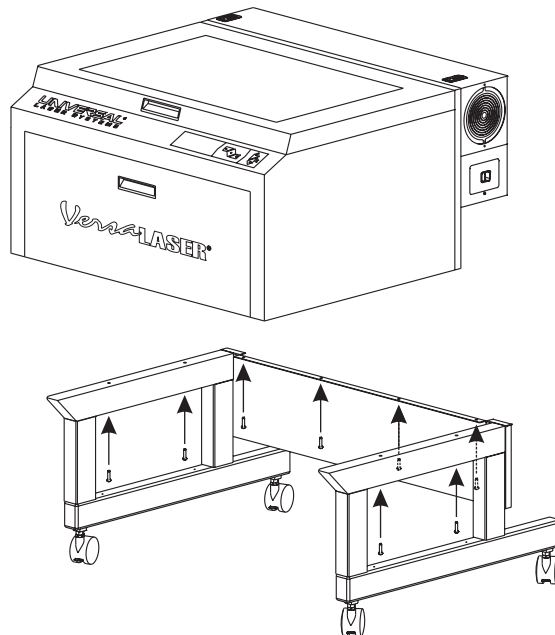
Proceed to page 18 "Laser Cartridge Installation."

System Assembly - VersaLASER VLS6.60 System

1. Unpack the laser system from its packaging.
2. Place the laser system in the desired location for operation.
 - a. If a doorway is not wide enough to pass the laser system through, the system can be detached from the cart stand and carried through the door on it's side.
 - b. If you do not need to detach the laser system from the cart to move it to the desired location for operation, you can proceed to "Laser Cartridge Installation" on page 18.

Detaching laser system from cart to fit through small doors (Optional)

1. Remove any packing materials or accessories inside the laser system.
2. Using strong shipping tape or rope, tape the top and front door closed so that they do not open up when tilted.
3. Remove the eight screws that attach the cart stand to the laser system from the bottom (See below.)



4. Lift the laser system straight up.
5. Place the laser system front door down on a dolly and roll it through the doorway. Lift and rotate the cart to move it through the doorway.
6. Carefully line up the laser system and place it back on top of the cart stand. **Be careful not to pinch your fingers.**
7. Reassemble the laser system and **proceed to "Laser Cartridge Installation" on page 18.**

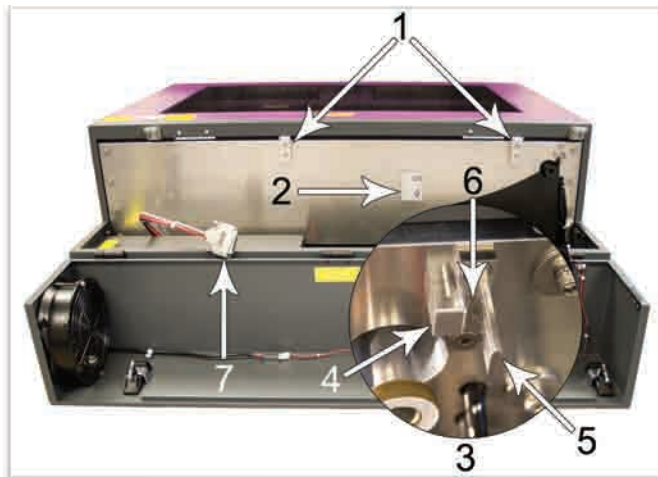
Laser Cartridge Installation

1. Make sure that your power cord to the system is not plugged in at this time. Place your finger in the slotted hole and gently pull back on both sliding latches. Gently fold back the rear cover.

Note: Access latches for the laser cover are lockable. However, all systems are shipped from the factory with latches unlocked. If you need to lock the latches please contact our Customer Service Team at 480-609-0297 (USA), +43 1 402 22 50 (Austria), +81 (45) 224-2270 (Japan) or e-mail us at support@ulsinc.com for keys.



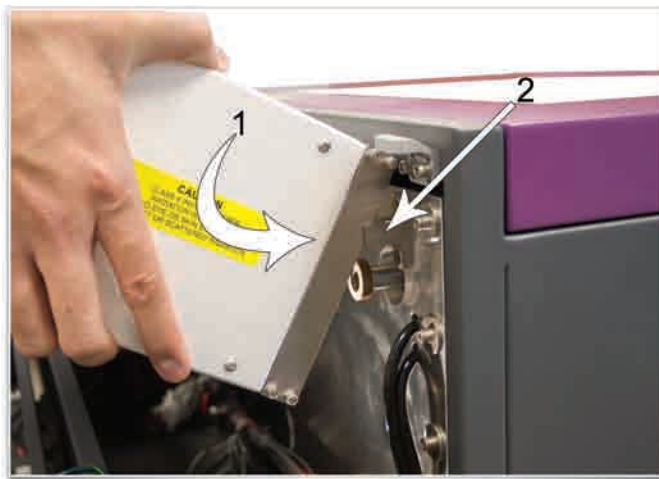
2. Visually locate the two mounting blocks (1), the laser latch (2), alignment fork (3) and power connector (7). Notice that the alignment fork has two plates, one small (4) and one large (5). Locate the gap between the two plates (6).



3. Observe the "V" groove along the upper (3) and lower (2) part of the laser cartridge base plate and the alignment plate (1) at the end of the base plate.



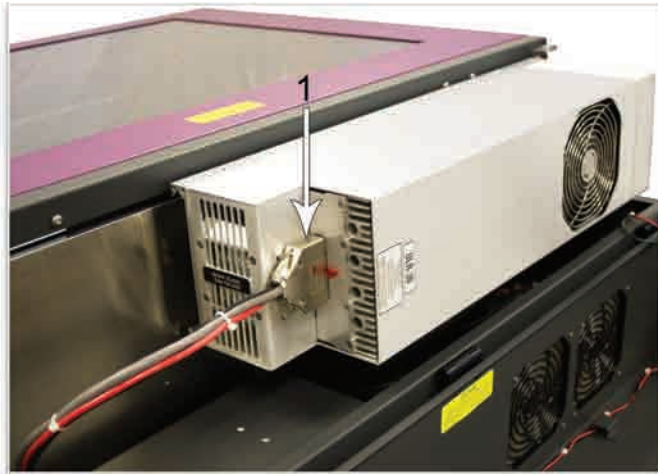
4. Pick up the laser cartridge by the ends and tilt it at a 30 degree angle as shown (1). Mount the cartridge onto the mounting blocks shown in step 2 (page 18) by placing the upper "V" groove on top of the mounting blocks. Slide the cartridge to the right until the outer edge (2) of the alignment plate contacts the inside edge of the large plate of the alignment fork.



5. Slowly rotate the laser cartridge, making sure that the alignment plate is centered in the gap in the alignment fork. As you slowly release the weight of the laser, you should feel it lock itself smoothly into place. **Never force the laser into position.** If the laser does not install smoothly, check for obstructions such as pinched wires or hoses or a binding laser latch. Once installed, verify that the alignment plate is centered within the alignment fork.



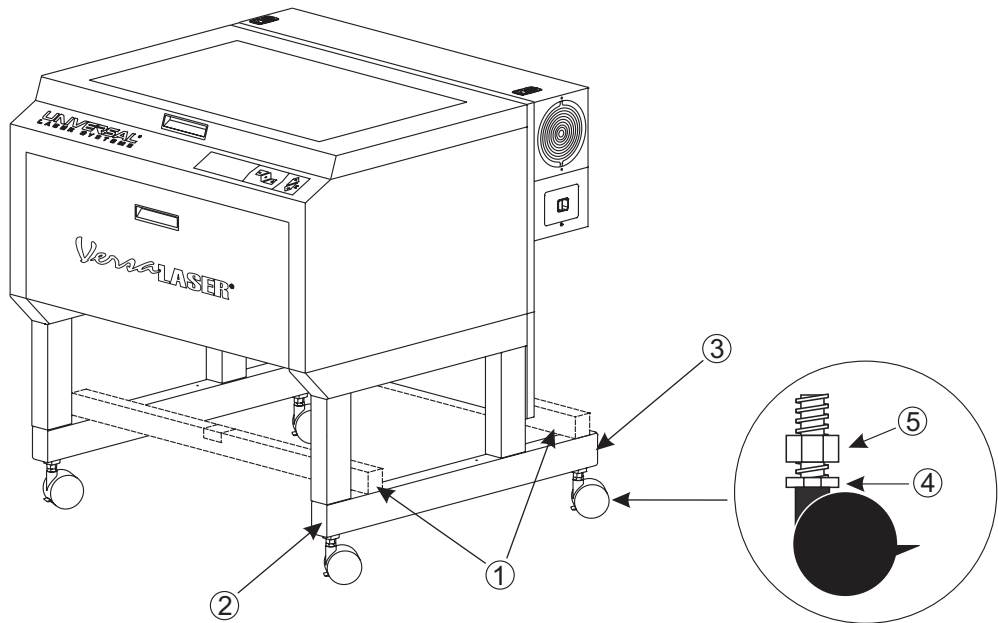
6. Plug in the power connector (1). Close the rear cover, making sure that wires or hoses do not become pinched when the cover is closed. Gently close the rear cover until the sliding latches lock into place.



7. Once the laser cartridge has been installed, proceed to **“Laser System Leveling”** on page 21.

Laser System Leveling

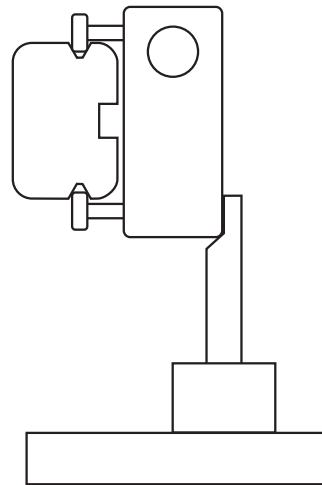
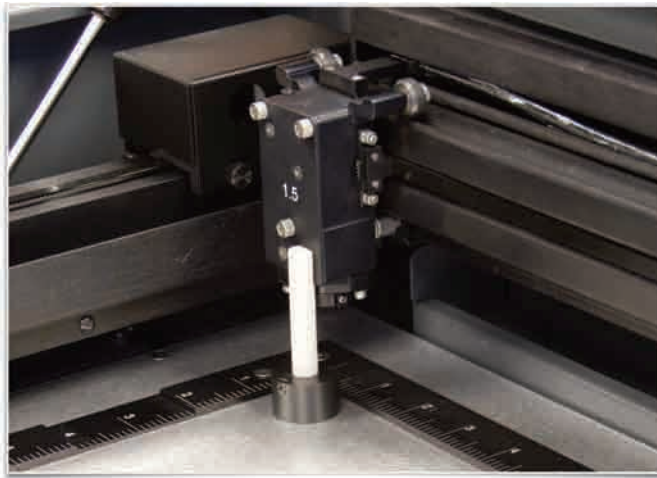
1. Place a bubble level (1) across the front (2) and rear cart legs (3). Adjust the caster height using the adjustment screw (4) until both the rear part and the front part of the cart legs are level with respect to each other. Once the system is level, secure all casters by tightening the nut (5) up against the cart leg.
2. Open the top door and remove the rubber band that is securing the arm in place.
3. Remove any remaining packing materials and accessories or any other items that may be located inside the cabinet or on top of the engraving table.



4. Manually move the Focus Carriage by hand to the upper left corner.

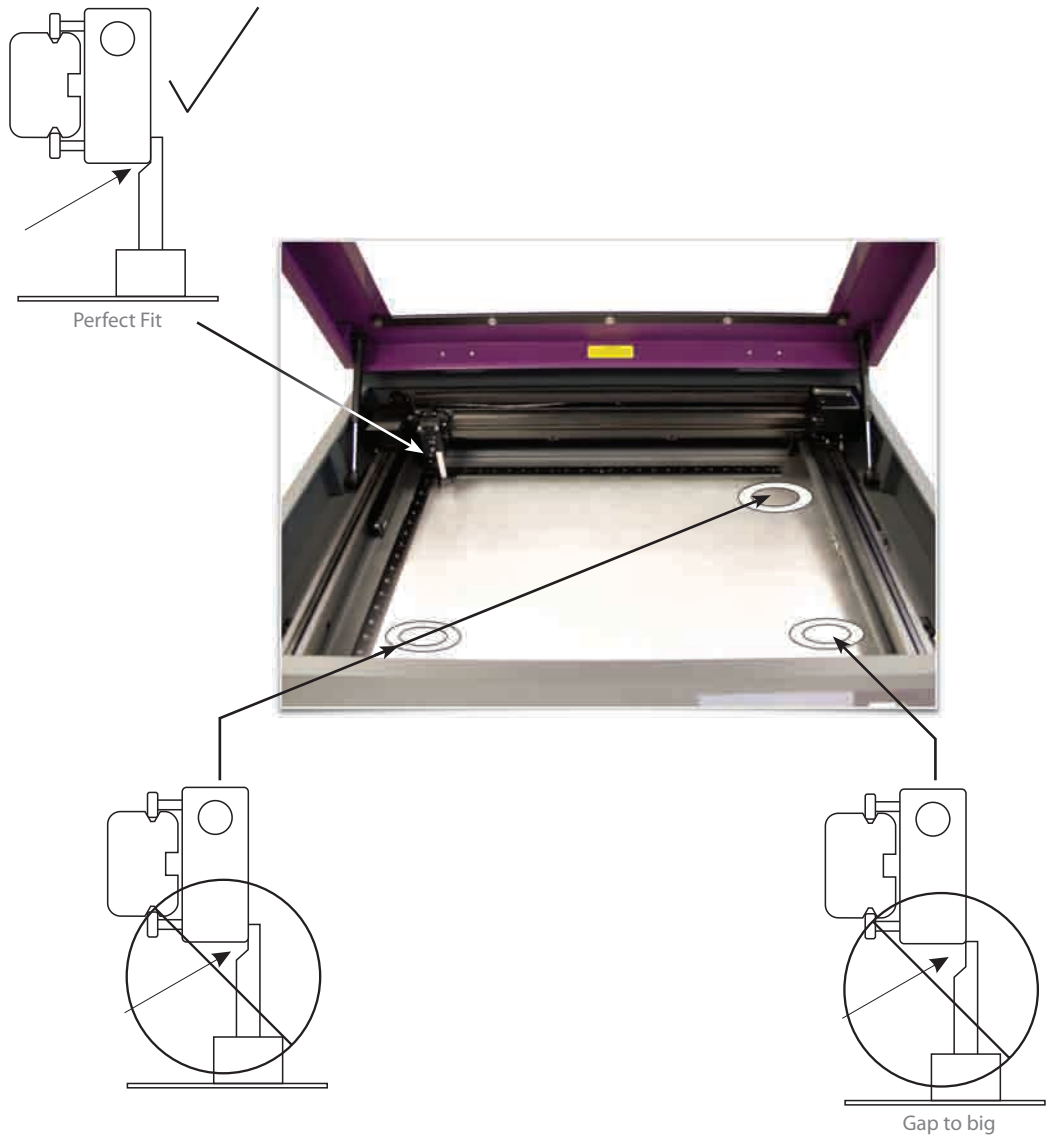


5. Place the focus tool* against the black lens plate (focus carriage) so that the flat edge of the focus tool rests against the front side of the focus carriage as illustrated. Take note of the fit of the focus tool (it should look like the diagram to the right) in the upper left corner of the system. This corner will be your reference point.

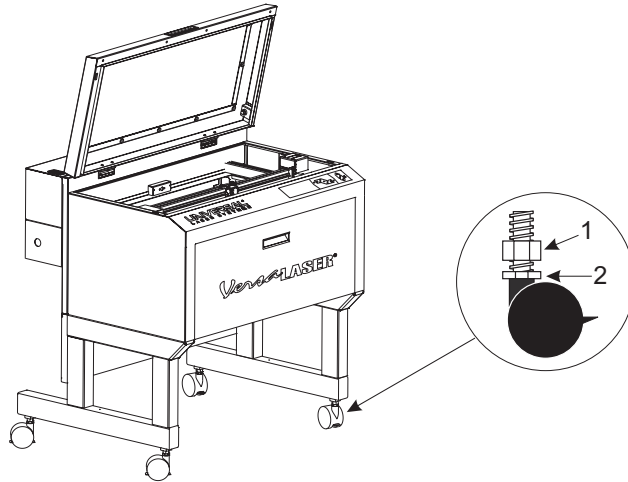


*Alternate leveling method available. See page 24.

- Using the upper left corner as a reference point, move the focus carriage by hand to each corner and take note of any differences between the fit of the focus tool in the upper left corner of the field and the fit of the focus tool in each of the other corners.



7. If one or more of the other corners does not match the upper left corner, adjust the caster directly underneath that corner up or down until the focus tool fit at that corner matches the fit at the upper left corner. First loosen the lock nut (1), then turn the adjusting screw (2) in 1/8 turns. Once the foot is at the correct height, tighten the lock nut (1). When you are done the focus tool fit at all four corners should be the same.



8. Once properly leveled **proceed to page 25.**

***Alternate leveling method**

For the best leveling results, use a digital caliper and adjust the caster directly under each corner that does not match the height of the upper left corner until that corner matches the upper left corner's height. Verify that you zero out the caliper before taking any measurements. The height at each corner should be within 0.010" (0.254 mm) of the height at the upper left corner.



Finalizing the Connections

Make the following connections in the order described, otherwise static electricity can potentially damage the computer and/or the laser systems electronics.

1. Connect the 4-inch flexible rubber exhaust system to the rear of the laser system if you have not already done so.
2. Connect the laser system's power cord and your computer's power cord to a grounded electrical outlet.

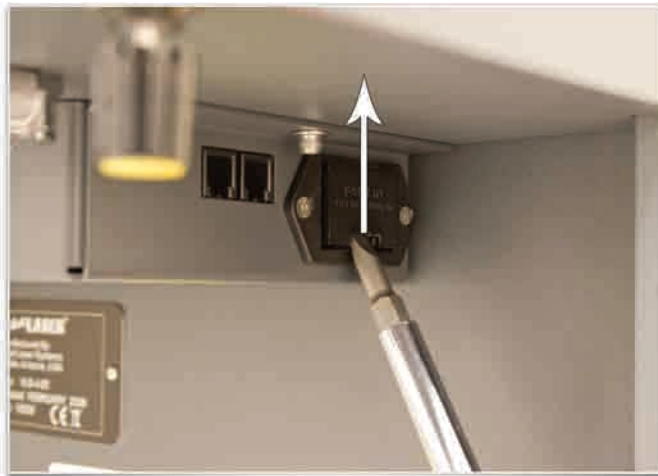
Note: International users may need to connect an adapter to the power cord to be able to plug it into their power source.

CAUTION: Make sure that you attach the adapter correctly to the power cord and that your power source is properly grounded (Earthed).

3. Do not power on the laser system at this time.

Note: A properly installed 9-volt battery is necessary to operate the laser system. The laser system will not function without a charged battery installed. Keep a spare 9-volt battery on hand at all times.

4. Install the provided 9-volt Thermal Sensor battery into the VersaLASER system.
 - a. Gently push up on the Thermal Sensor battery holder drawer as indicated. Pull the battery holder drawer out.



- b. Insert the 9-volt battery provided into the battery holder drawer.
- c. Reinsert the battery holder drawer into the cavity until it latches in place.

5. USB 2.0 Hi-Speed (Only)

The laser system comes equipped with a high quality, 6-foot (2 meters) USB 2.0 certified cable. We recommend you use this provided cable.

CAUTION: Do not use any adapters, extension cables, USB cable longer than 6 feet (2 meters), or other devices between the computer's USB port and the port on the laser system, or sporadic or unpredictable behavior may result.

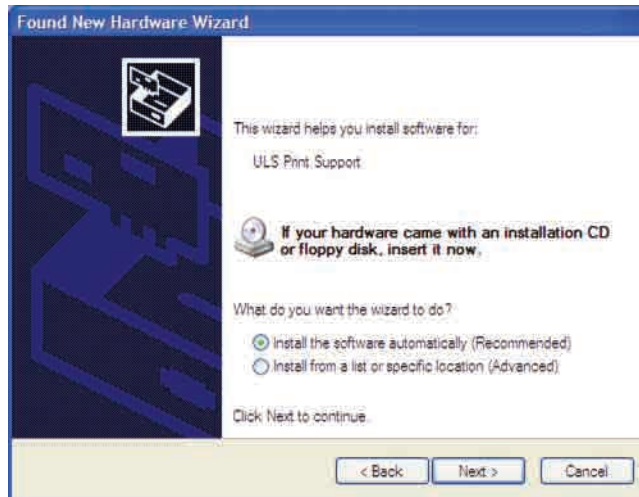
- a. Connect the USB cable provided between the USB port of the computer and the USB port on the back of the VersaLASER system. Do not use a USB cable longer than 6 feet (2 meters).



- b. After connecting the USB cord, the Found New Hardware Wizard will open and offer to connect to "Windows Update" to search for software. Select "No, not at this time." Then click "Next" to continue.



- c. Select "Install the software automatically." Then Click "Next" to continue. You do not need to insert the Software Installation CD-ROM.



- d. A warning message will appear. Select "Continue Anyway." Do not be concerned. Installing the ULS Firmware will not harm your computer in any way. The firmware will begin to load.




- e. Click "Finish" to close the Wizard.

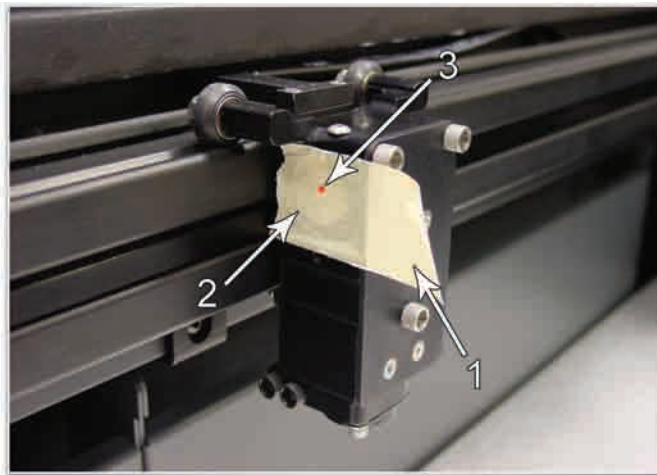


- f. Another set of New Hardware Wizard windows may appear after the initial USB connection. Follow the same instructions as mentioned previously. Once completed, your new hardware is installed and ready to use.

Checking Beam Alignment

Note: You will not engrave anything at this time.

1. Open the top door.
2. Place a small piece of masking tape across the 3/4" hole in the focus carriage (1). Gently rub the tape around the edge of the hole so that you can see the outline of the hole through the tape (2).
3. Power on your computer and verify that the Universal Control Panel (UCP) icon is present on the taskbar. If not, activate it by double-clicking on the "Universal Control Panel" icon on your desktop.
4. Power on the laser system by pressing the Power Button  on the VersaLASER system keypad.
5. With the top door open, a red dot will appear on the masking tape (3). The red dot should appear centered, within 1/8 inch. If not, turn off the laser system, remove and re-install the laser cartridge and try again. If the red dot still does not appear centered, please contact our Customer Service Department at 480-609-0297 (USA), +43 1 402 22 50 (Austria), +81 (45) 224-2270 (Japan) or e-mail us at support@ulsinc.com.
6. Laser beam alignment is now complete. Power off the laser system and **remove the masking tape**.



Focus Carriage Beam Alignment

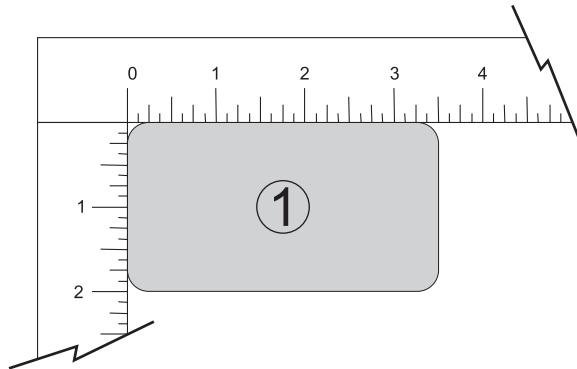
Running Your First Job

We will now illustrate how to use your laser system to engrave on a piece of anodized aluminum from start to finish. In this example, you will raster engrave a Test Card on a 2 by 3.5 inch (50.8 by 89 mm), 0.0195 inch (0.49 mm) thick piece of anodized aluminum.

Note: For this example we will be using CorelDRAW X3 and the CorelDRAW sample file provided on the software CD. Install CorelDRAW, but do not start a new project.

Step 1 – Loading and Positioning the Material

Open the top door and position the piece of anodized aluminum (1) into the upper left corner of the table, against the rulers.




Step 2 – Creating the Graphic

Using CorelDRAW, open the sample graphic file found on the software installation CD that came with the VersaLASER system. The file is named [ULSTest.cdr](#).

Step 3 – Printing to your VersaLASER System (Materials Database Tab)

You are using the Materials Database Tab in the printer driver. Other graphic software programs may differ.

1. Verify that the UCP  is running in the taskbar.
2. When you are ready to print the job, click FILE and then click PRINT. Make sure that your laser system appears in the DESTINATION NAME dropdown list, and then click PROPERTIES (Figure 4) to display the VersaLASER system printer driver settings (Figure 5).
3. Choose your material, in this case metal, and then select the correct material type, Aluminum Anodized (Figure 5).
4. Set the Fixture Type to NONE.

Note: If you were using an optional accessory or custom fixture, you would choose it from the fixture list.

5. Measure the thickness of the material (we recommend using calipers) and enter it in the material thickness field. In the example, the provided anodized aluminum is 0.019" thick.
6. Click OK when done.
7. Now click on PRINT in the Print dialog window (Figure 4).
8. Click on the VersaLASER system icon on the taskbar and the current print job will appear in the Viewer Tab of the Universal Control Panel (Figure 6).
9. Now click on the System Tab and verify that the Auto Z box is checked.
10. Return to the Viewer Tab and proceed to the next step.

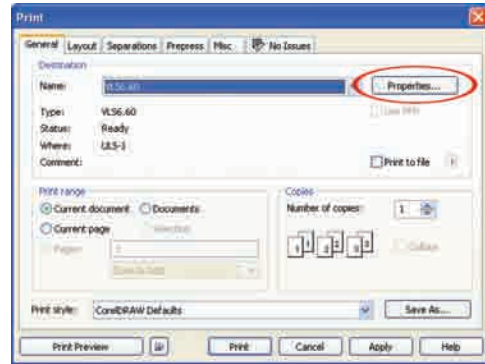


Figure 4



Figure 5



Figure 6

Step 4 – Starting the Process

1. Turn on the exhaust and VersaLASER system.

Note: Laser system cooling fans are variable speed and may speed up and slow down during operation as needed to cool the lasers.

2. Make sure the material is positioned correctly within the engraving area.
3. Close the top door.
4. Click the green START button on the UCP to begin laser processing (Figure 6 on previous page).

CAUTION: Observe that the laser system is functioning as desired. If any abnormalities occur, including, but not limited to, flaming, sparking, melting or excessive smoking of the material you are engraving, **stop the engraving process immediately by either pressing the pause button or opening the top door.** Re-check the settings in the printer driver as well as the laser system. If everything seems to be correct, check focus manually as described in the User Manual located in the Reference Guide packet and adjust if necessary. If you cannot resolve the issue, please contact your distributor or the ULS Customer Service Team. **Never leave the laser system unattended during the engraving or cutting process.**

Step 5 – Material Removal and Reloading

Once the laser system has completed processing the material, the laser beam will turn off and the focus carriage will move to the home position in the upper right hand corner.

Before opening the top door, wait a few seconds to allow any remaining fumes that are leftover from the laser engraving or cutting process to evacuate through the exhaust system.

Congratulations! You have just completed your first engraving project with your new VersaLASER system.

©2008 Universal Systems, Inc. All Rights Reserved. The Universal Laser Systems logo and name, and VersaLASER, are registered trademarks of Universal Laser Systems, Inc. All other company and product names are trademarks or registered trademarks of their respective companies.

Universal's laser systems are protected under one or more of U.S. Patents: 5,051,558; 5,661,746; 5,754,575; 5,867,517; 5,881,087; 5,894,493; 5,901,167; 5,982,803; 6,181,719; 6,313,433; 6,342,687; 6,423,925; 6,424,670; 6,983,001; 7,060,934. Other U.S. and international patents pending.

The VersaLASER system has been awarded U.S. Design Patent No. D517,474 for the unique design of its external cabinet, which also functions as a Class 1 laser safety enclosure.

